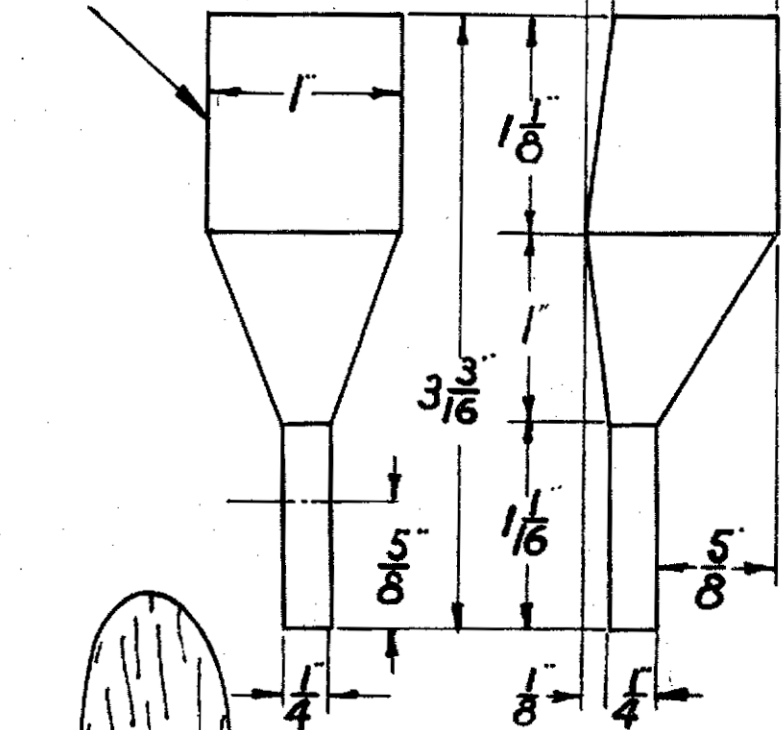


MEDIUM HARD FOLDING PROP



3/32 SQ. LEADING EDGE

THREAD

.031" PIANO WIRE

SOLDER

WING MOUNT

TYPICAL WING SECTION

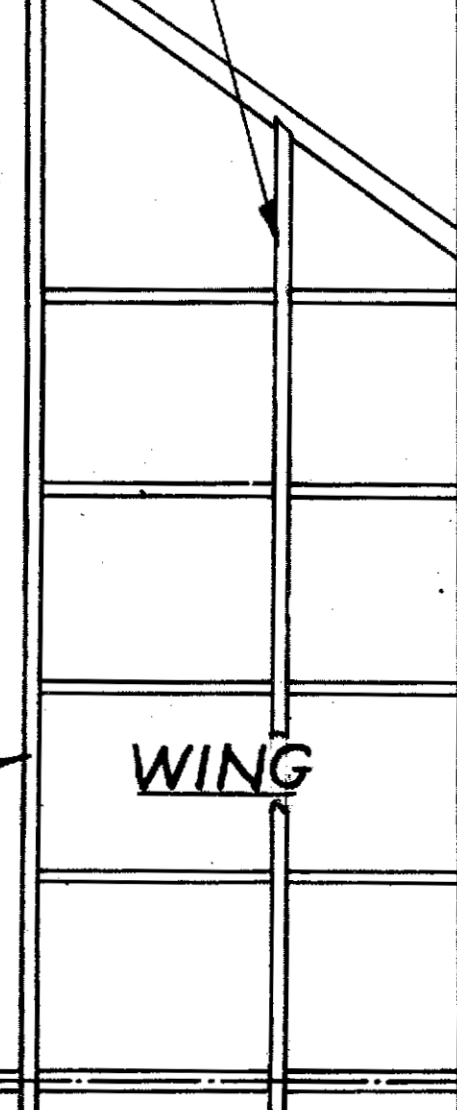
3/8 x 1/8 FUSELAGE

3/8 x 1/8 FUSELAGE

.031" PIANO WIRE

WIRE

1/16 SQ SPAR



WING

1/16 FLAT RIBS

1/16 x 1/8

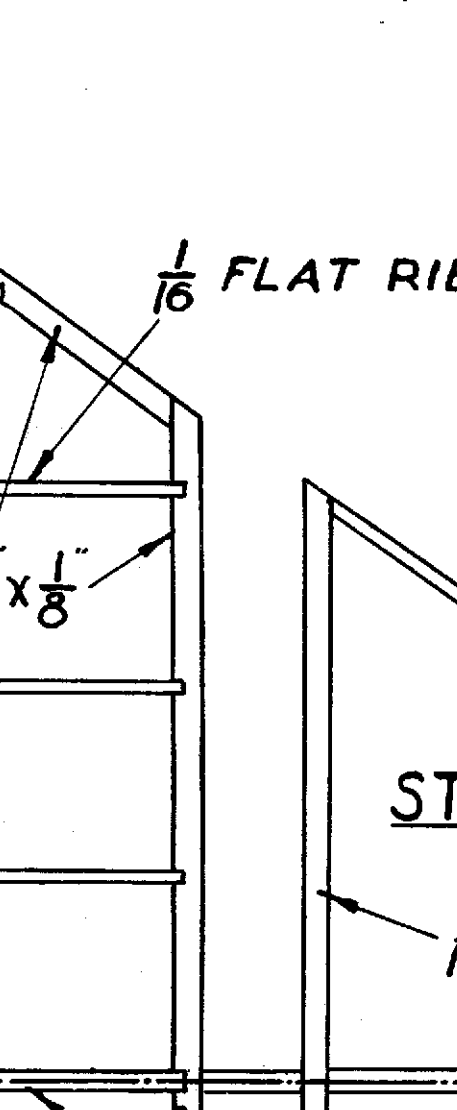
BUTT JOINT

FASTEN WITH A RUBBER BAND

RUDDER

1/16 SQ.

DIHEDRAL = 1/4



STAB.

1/16 SQ.

1/16 x 1/8

RUDDER

1/16 SQ.

.031" PIANO WIRE

WIRE

THE
Triflyer...
 BY LOUIS BUCALO

NOTE: THE REAR WING MOUNT IS 1/16 LESS IN HEIGHT TO PRODUCE AN ANGLE OF INCIDENCE